

White Farm Equipment Company

Service Bulletin

Location Charles City
 Subject Transmission Oil Leakage –
 1265 & 1365 Tractors
 Number 430 713
 Date 5-8-75
 File C Transmission

1 of 2

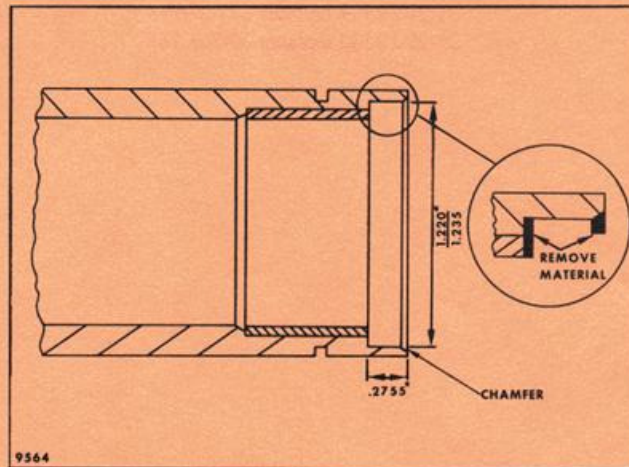


Fig. 1. Upper Transmission Shaft

PROBLEM

Transmission oil may travel forward along PTO shaft to engine clutch on some 1265 and 1365 tractors.

OBSERVATION

677 412A Seal may allow transmission oil to move forward along PTO shaft or seal may turn with PTO shaft permitting oil seepage between seal and transmission input shaft.

CORRECTION

FACTORY

1265 tractors after serial number 312 870 and 1365 tractors after serial number 728 082 have upper transmission shafts incorporating 31-290 2578 Transmission to Clutch Shaft Seal. 31-290 2578 Seal is pressed into shaft and has sealing lip on PTO shaft.

2 of 2
430 713

FIELD

Existing 677 286AS (1265) and 30-301 1690 (1365) shafts may be reworked to accept 31-290 2578 Seal (Fig. 1). Install seal with lip toward rear of tractor.

NOTE: If seal does not fit securely in bore, secure using sealant or 30-316 3253 Loctite (No. 271).

If upper transmission shaft requires replacement, install following shafts which use 31-290 2578 Lip Type Seal.

<u>MODEL</u>		<u>DESCRIPTION</u>
1265	31-290 2579 replaces 677 286AS	Shaft
1365	31-290 2580 replaces 30-301 1690	Shaft

Service Department

200:LET:lg