

WHITE
Farm Equipment

Parts Bulletin

Number 433 343
Subject Luk Clutches
Date 5-9-80
Page 1 of 7

This parts bulletin contains parts listing for Luk Clutches.

TRACTOR MODEL

LUK CLUTCH ASSEMBLY

1250	Luk Clutch Not Used	
1255	31-290 3432	
1355	30-304 0917	Alternate 31-290 0124
1265-70	31-290 3432	
1365-70	31-290 0124	
	31-290 3290	Alternate 31-290 5928
1465-70	Luk Clutch Not Used	
2-50	31-290 0124	
	31-290 3432	
2-60	31-290 0124	
	31-290 3290	Alternate 31-290 5928
700 (Canadian)	31-290 3290	Alternate 31-290 5928

NUMERICAL INDEX

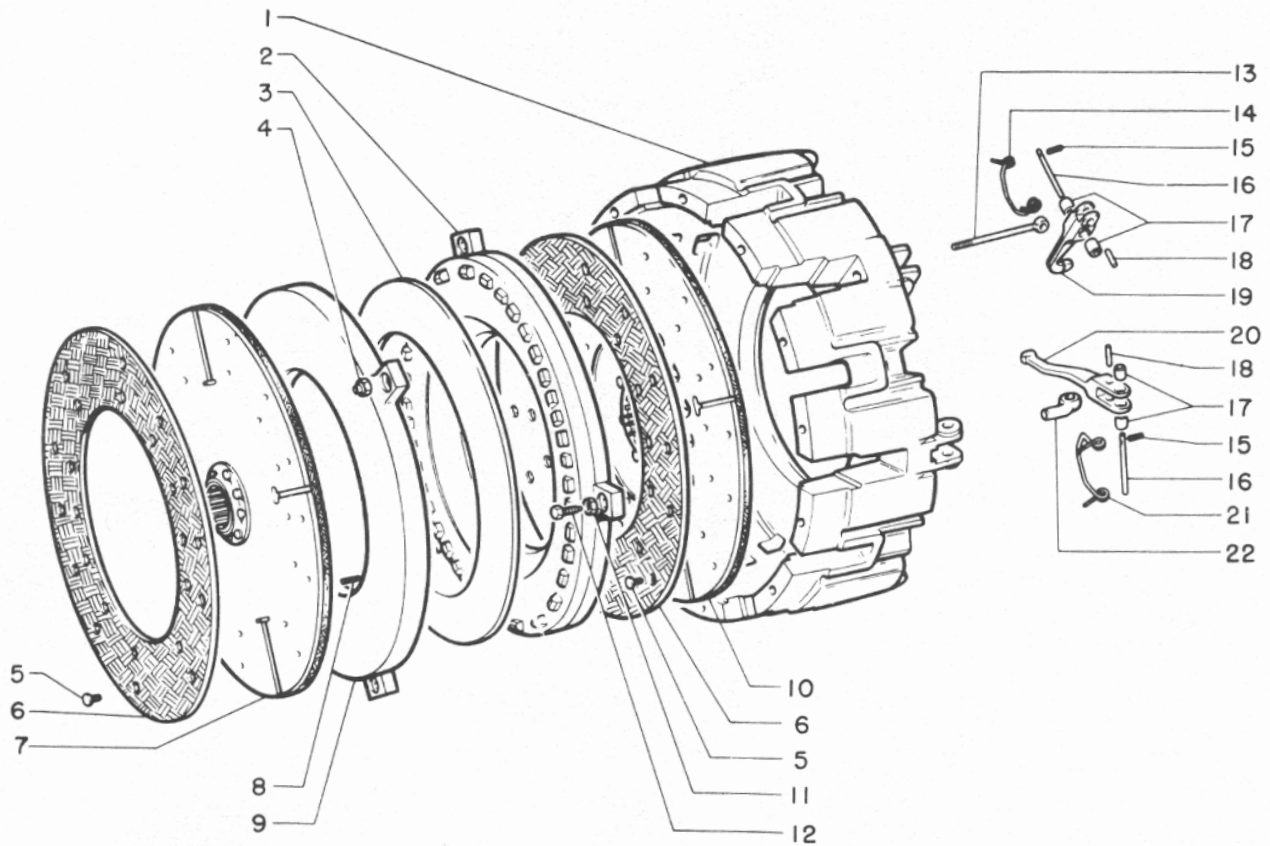
<u>PART NO.</u>	<u>PAGE</u>
30-304 0917.	2
31-290 0124.	2
31-290 3290.	6
31-290 3432.	4
31-290 5928.	6

Service Department

JB MP:lb

433 343
2 of 7

CLUTCH

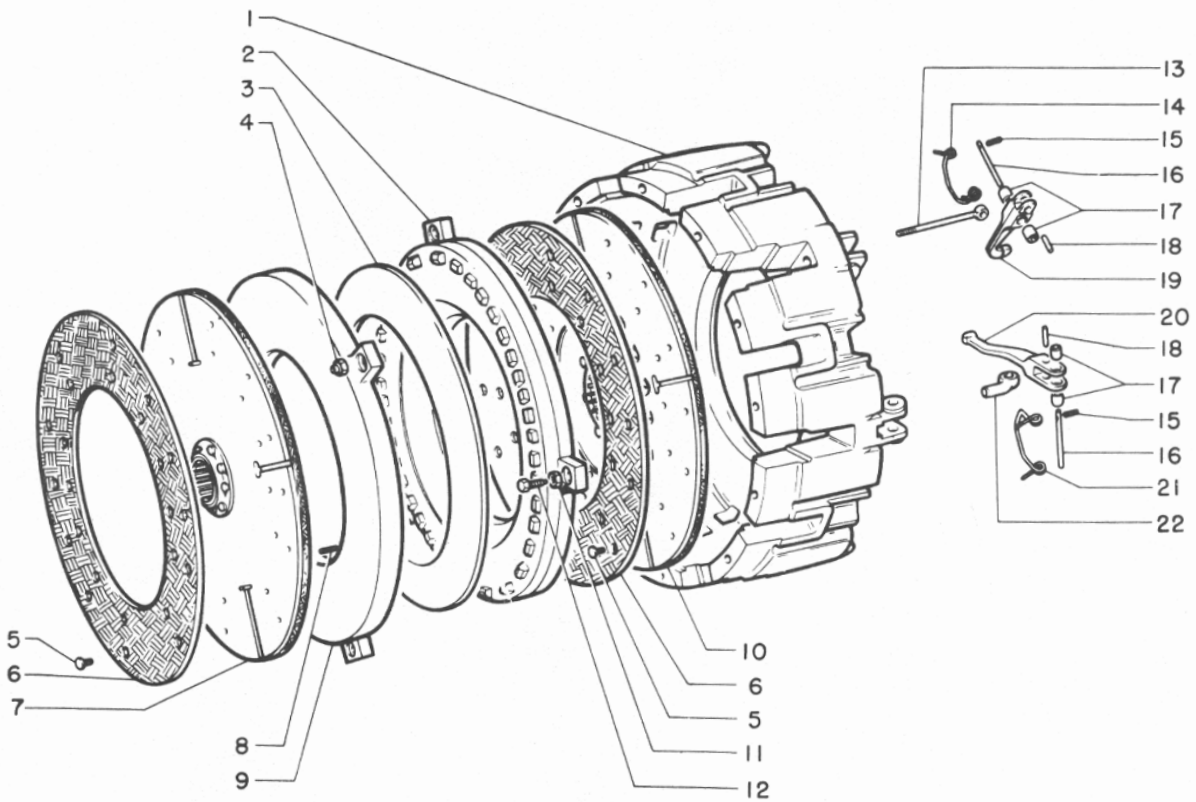


CLUTCH

REF. NO.	PART NUMBER	DESCRIPTION	NO. REQ.	
			30-304 0917	31-290 0124
	30-304 0917	CLUTCH - Luk	1	
	31-290 0124	CLUTCH - Luk		1
1	30-304 0984	CASE	1	1
2	30-304 1115	PLATE	1	1
3	31-290 0626	SPRING	1	1
4	30-304 1166	NUT - M8 x 1.25 - Used With 30-304 1042 Pin	3	3
		Order 31-290 5048		
4	31-290 5048	NUT - M8 x 1 - Used With 31-290 5049 - Included.	3	3
		In 31-290 6067 Kit		
5	30-304 1204	RIVET - Use With 30-304 1174, 31-290 5375 And	24	24
		30-304 1107		
5	31-290 2043	RIVET - Use With 31-290 1722 Only	24	24
5	31-290 6102	RIVET - Used With 31-290 5953 Only	24	
6	30-304 0976	*FACING - Use With 30-304 1174 And 30-304 1107.	2	2
6	31-290 2042	*FACING - Use With 31-290 1722.	4	
6	31-290 5374	*FACING - Used With 31-290 5375.	4	4
6	31-290 6101	*FACING - Used With 31-290 5953 Only	2	
6	31-299 0399	FACING AND RIVETS	4	4
		NOTE: 31-299 0399 Will Replace Parts Identified By An Asterisk (*) When Facing Is Subjected To Extreme Heat.		
7	30-304 1174	PLATE - Spring - PTO Clutch - Includes 2 - 30-304 0976 . .	1	1
		And 24 - 30-304 1204 - Alternate 31-290 5357		
7	31-290 5375	PLATE - Spring - PTO Clutch - Includes 2 - 31-290 5374 . .	1	1
		And 24 - 30-304 1204		
8	30-304 1190	PIN.	3	3
9	30-304 1158	PLATE	1	1
10	30-304 1107	PLATE - Solid - Engine Clutch - Includes 2 - 30-304 0976 . .		1
		And 24 - 30-304 1204 - Alternate 31-290 1722		
10	31-290 1722	PLATE - Spring - Engine Clutch - Includes 2 - 31-290 2042 .	1	1
		And 24 - 31-290 2043 - Alternate 31-290 5953		
10	31-290 5953	PLATE - Engine Clutch - Includes 2 - 31-290 6101 And . . .	1	1
		24 - 31-290 6102		
11	30-304 1182	NUT - Included In 31-290 6068 Kit	3	3
12	30-304 1123	SCREW - Included In 31-290 6068 Kit	3	3
13	30-304 1042	PIN - M8 x 1.25 - Order 31-290 5049	3	3
13	31-290 5049	PIN - M8 x 1 - Included In 31-290 6067 Kit.	3	3
14	30-304 1077	SPRING - Included In 31-290 6067 Kit.	3	3
15	30-304 1093	PIN - Included In 31-290 6067 And 31-290 6068 Kit.	6	6
16	30-304 1050	PIN - Included In 31-290 6067 And 31-290 6068 Kit.	6	6
17	30-304 1085	BUSHING - Included In 31-290 6067 And 31-290 6068 Kit.	12	
17	31-290 0627	BUSHING - Included In 31-290 6067 And 31-290 6068 Kit.		12
18	30-304 1026	PIN - Included In 31-290 6067 And 31-290 6068	6	6
19	30-304 1034	LEVER - Included In 31-290 6067 Kit	3	3
20		LEVER - Order 31-290 6068 Kit	3	3
21		SPRING - Order 31-290 6068 Kit.	3	3
22		LEVER - Order 31-290 6068 Kit	3	3
	31-290 6067	KIT - Includes Ref Nos 4 And 13 Thru 19	1	1
	31-290 6068	KIT - Includes Ref Nos 11, 12, 15 Thru 18 And 20 Thru 22	1	1

433 343
4 of 7

CLUTCH

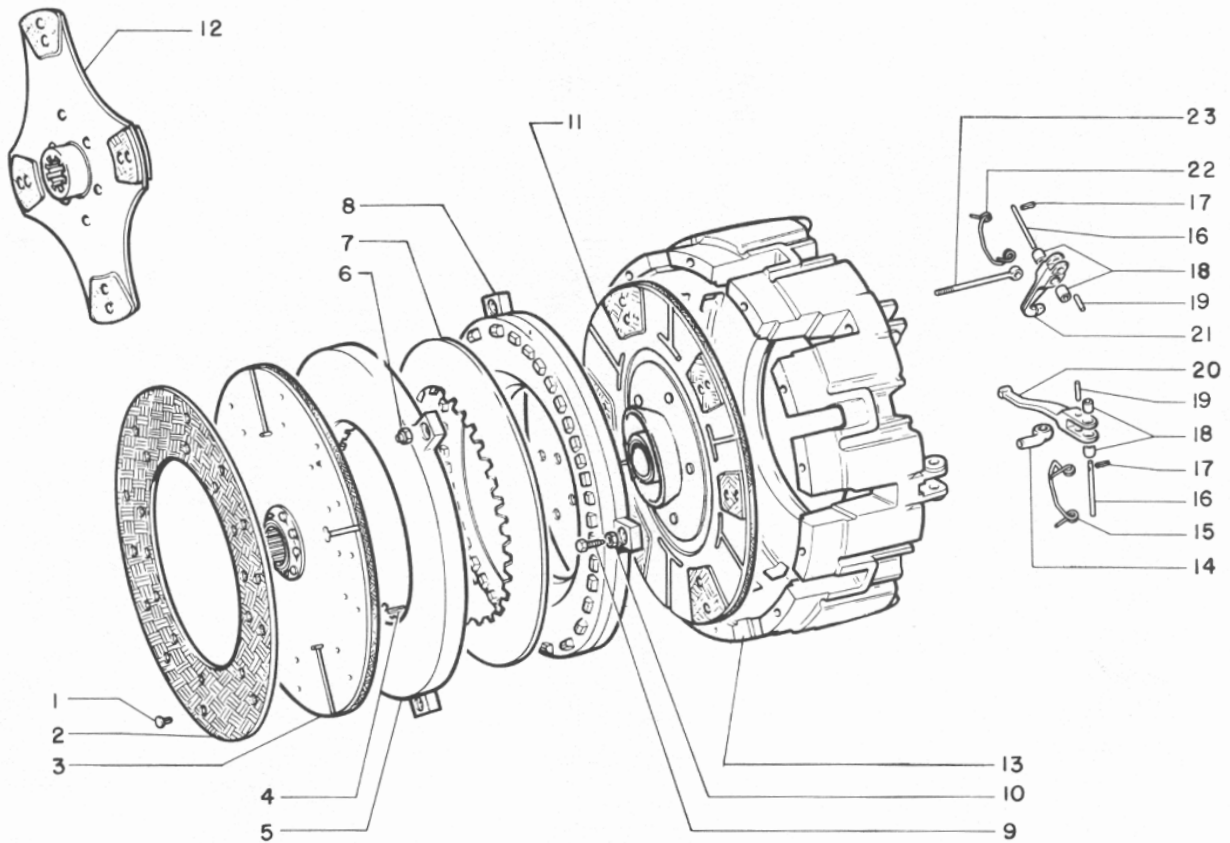


CLUTCH

REF. NO.	PART NUMBER	DESCRIPTION	NO. REQ.
	31-290 3432	CLUTCH - Luk.	1
1	30-304 0984	CASE	1
2	30-304 1115	PLATE	1
3	31-290 5376	SPRING - Alternate 31-290 0626.	1
3	31-290 0626	SPRING	1
4	30-304 1166	NUT - M8 x 1.25 - Used With 30-304 1042 Pin - Order 31-290 5048.	3
4	31-290 5048	NUT - M8 x 1 - Used With 31-290 5049 Pin - Included In 31-290 6067 Kit.	3
5	30-304 1204	RIVET - Used With 31-290 5375	24
5	31-290 6219	RIVET - Used With 31-290 3434 And 31-290 6225.	24
6	31-290 5374	*FACING - Used With 31-290 5375	2
6	31-290 6218	*FACING - Used With 31-290 3434 And 31-290 6225.	2
6	31-299 0398	FACING AND RIVETS	4
		NOTE: 31-299 0398 Will Replace Parts Identified By An Asterisk (*) When Facing Is Subjected To Extreme Heat.	
7	31-290 5375	PLATE - Spring - PTO Clutch - Includes 2 - 31-290 5374 And 24 - 30-304 1204	1
8	30-304 1190	PIN.	3
9	30-304 1158	PLATE	1
10	31-290 3434	PLATE - Spring - Engine Clutch - Includes 2 - 31-290 6218 And 24 - 31-290 6219.	1
10	31-290 6225	PLATE - Spring - Engine Clutch - Includes 2 - 31-290 6218 And 24 - 31-290 6219.	1
11	30-304 1182	NUT - Included In 31-290 6068 Kit	3
12	30-304 1123	CAP SCREW - Included In 31-290 6068 Kit	3
13	30-304 1042	PIN - M8 x 1.25 - Order 31-290 5049	3
13	31-290 5049	PIN - M8 x 1 - Included In 31-290 6067 Kit	3
14	30-304 1077	SPRING - Included In 31-290 6067 Kit.	3
15	30-304 1093	PIN - Included In 31-290 6067 And 31-290 6068 Kit.	6
16	30-304 1050	PIN - Included In 31-290 6067 And 31-290 6068 Kit.	6
17	31-290 0627	BUSHING - Included In 31-290 6067 And 31-290 6068 Kit	12
18	30-304 1026	PIN - Included In 31-290 6067 And 31-290 6068 Kit.	6
19	30-304 1034	LEVER - Included In 31-290 6067 Kit	3
20		LEVER - Order 31-290 6068 Kit	3
21		SPRING - Order 31-290 6068 Kit.	3
22		LEVER - Order 31-290 6068 Kit	3
	31-290 6067	KIT - Includes Ref Nos 4 And 13 Thru 19	1
	31-290 6068	KIT - Includes Ref Nos 11, 12, 15 Thru 18 And 20 Thru 22	1

433 343
6 of 7

CLUTCH



CLUTCH

REF. NO.	PART NUMBER	DESCRIPTION	NO. REQ.	
			31-290 3290	31-290 5928
	31-290 3290	CLUTCH - Luk	1	
	31-290 5928	CLUTCH - Luk		1
1	30-304 1204	RIVET - Used With 30-304 1174 And 31-290 5375	24	24
2	30-304 0976	*FACING - Used With 30-304 1174 Only	2	
2	31-290 5374	*FACING - Used With 31-290 5375		2
2	31-299 0401	FACING AND RIVETS	2	2
		NOTE: 31-299 0401 Will Replace Parts Identified By An Asterisk (*) When Facing Is Subjected To Extreme Heat.		
3	30-304 1174	PLATE - Spring - PTO Clutch - Includes 2 - 30-304 0976 And 24 - 30-304 1204 - Alternate 31-290 5375	1	
3	31-290 5375	PLATE - Spring - PTO Clutch - Includes 2 - 31-290 5374 And 24 - 30-304 1204		1
4	30-304 1190	PIN	3	3
5	30-304 1158	PRESSURE PLATE	1	1
6	30-304 1166	NUT - M8 x 1.25 - Used With 30-304 1042 Pin Order 31-290 5048	3	
6	31-290 5048	NUT - M8 x 1 - Used With 31-290 5049 - Included. In 31-290 6067 Kit	3	3
7	31-290 0626	TAB - Spring - Earlier Models.	1	
7	31-290 5376	TAB - Spring - Later Models	1	
7	31-290 5376	TAB - Spring		1
8	30-304 1115	PRESSURE PLATE	1	1
9	30-304 1123	CAP SCREW - Included In 31-290 6068 Kit.	3	3
10	30-304 1182	NUT - Included In 31-290 6068 Kit	3	3
11	31-290 3291	PLATE - Engine Clutch - Includes 6 Button Facings. Earlier Models	1	1
12	31-290 4845	PLATE - Engine Clutch - Includes 4 Button Facings. Later Models	1	1
13	30-304 0984	CASE	1	1
14		LEVER - Order 31-290 6068.	3	3
15		SPRING - Order 31-290 6068 Kit.	3	3
16	30-304 1050	PIN - Included In 31-290 6067 And 31-290 6068 Kit.	6	6
17	30-304 1093	PIN - Included In 31-290 6067 And 31-290 6068 Kit.	6	6
18	31-290 0627	BUSHING - Included In 31-290 6067 And 31-290 6068 Kit.	12	12
19	30-304 1026	PIN - Included In 31-290 6067 And 31-290 6068 Kit.	6	6
20		LEVER - Order 31-290 6068 Kit	3	3
21	30-304 1034	LEVER - Included In 31-290 6067 Kit	3	3
22	30-304 1077	SPRING - Included In 31-290 6067 Kit	3	3
23	30-304 1042	PIN - M8 x 1.25 - Order 31-290 5049	3	
23	31-290 5049	PIN - M8 x 1 - Included In 31-290 6067 Kit	3	3
	31-290 6067	KIT - Includes Ref Nos 6, 16 Thru 19 And 21 Thru 23.	1	1
	31-290 6068	KIT - Includes Ref Nos 9, 10 And 14 Thru 20.	1	1